

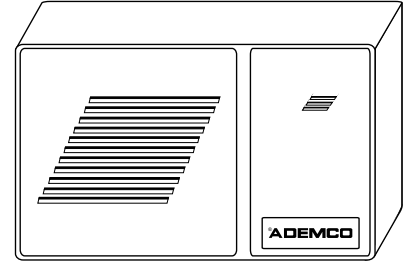
Installation and Setup Guide

Introduction

The LYNX-AVM used in conjunction with the LYNX Security Control Panel, provides the Central Station Operator with the capability to monitor and/or communicate with the protected premises.

This document provides:

- an overview of audio alarm verification (aav)
- instructions for wiring to the LYNX and installing the battery
- programming information.



UL This device is not applicable for UL Listed installations.

How Alarm Verification Works

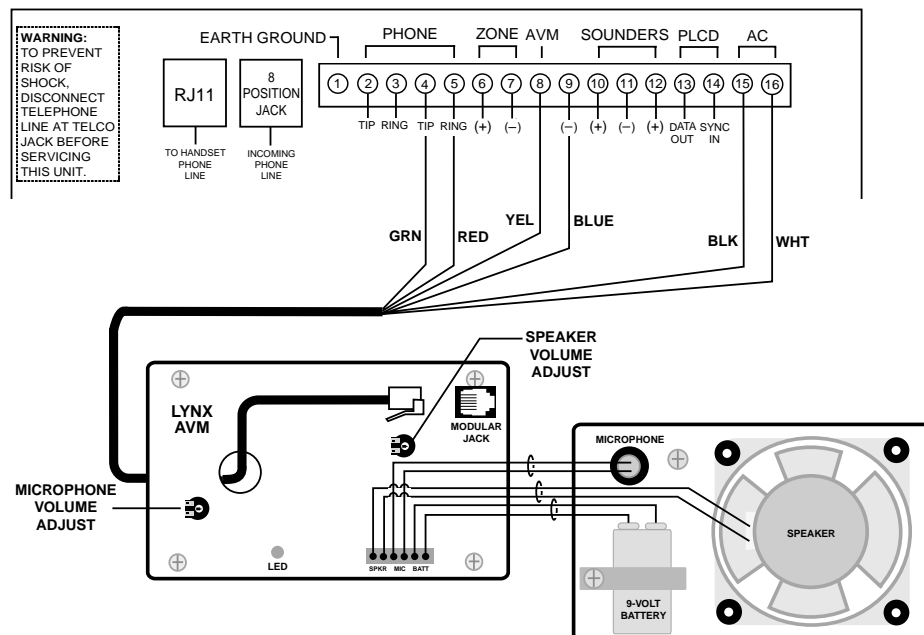
The following table shows the stages of audio alarm verification.

Stage	The LYNX Control...	The LYNX-AVM...	The Central Station...
1 Alarm occurs	seizes the phone line and reports the alarm to the central station.	stands by.	Digital Receiver processes the alarm report.
2 Listen-In To Follow	ends the report with a "listen-in to follow" message (Contact ID event code E606).	stands by.	Digital Receiver holds the phone line connection for one minute.
3 Audio Verification	receives "kissoff," activates LYNX-AVM, then gives up phone line. Sirens and keypad sounds are shut off. Control stands by for next alarm.	holds the phone line without breaking the connection to the central station.	operator can pick up the phone to speak to person at protected premises, who in turn can reply using the built-in microphone in the LYNX-AVM. See Operator Commands section.
4 End Call	stands by for next alarm.	hangs up the phone line.	operator ends the conversation and proceeds according to central station procedures.

Wiring the LYNX-AVM

1. Remove the face plate of the LYNX-AVM by removing the retaining screw and separating the plate from the back box.
2. Connect the flying leads of the RJ-12 cable (supplied) to the LYNX terminals as shown below.
3. Route the cable through the hole in the base of the LYNX-AVM.

Refer to the diagram below when making wiring connections to the LYNX.



Powering the LYNX-AVM and Installing the Battery

INITIAL POWER UP:

Upon power-up, the module enters a 10-second warm-up period. During this time, the module's LED flashes every 2 seconds.

The LYNX-AVM is powered from the LYNX control and contains a backup battery used in the event of power failure. The AVM will sound a low battery tone (beep-boop) once an hour when the backup battery voltage drops below 8.2 volts. Replace the backup battery annually or as required.

1. Plug the RJ-12 cable into the LYNX-AVM's modular jack, and then power-up the LYNX control. The red LED should flash once every 5 seconds after an initial 10-second warm-up period, indicating the unit is active.
2. Insert the included 9-volt alkaline battery under the battery clip on the front plate with the terminals towards the center of the plate.
3. Connect the battery cable to the battery.
4. Replace the front plate and secure with the supplied screw.

Programming the LYNX Control for LYNX-AVM Usage

Program the following data fields as shown.

NOTE:

Enter program mode by entering: Installer code + 8-0-0.

Exit program mode by entering: *99.

*48 Report Format: Select option 7 (Contact ID Reporting).

*49 Split/Dual Reporting: Select option 0 (alarm reports must be set for primary phone number only).

NOTE: Audio Alarm Verification cannot be used if paging is enabled.

*68 Cancel Report Code: Enter 1,0 to enable reporting.

*91 Custom Option Selection: Select option 4 (Audio Alarm Verification).

Activation/Operator Commands

FLASHING LED:

In "standby" the module's LED flashes once every 5 seconds. When the control sends the Contact ID code 606, the module's LED flashes rapidly 4 times every 5 seconds, indicating it is waiting for a session command from the central station operator. Once the 2-way voice session is active, the LED is on

When premises with a LYNX Control and AVM are violated, the LYNX Control sends the "alarm message" and then a "Listen-In-To-Follow message" (Contact ID code 606) to the Central Station. The Listen-In-To-Follow message causes the Central Station's digital receiver to temporarily hold the phone line (approximately 1-minute). When the LYNX Control receives the "kiss-off" from the central station, that the alarm message has been received, the LYNX AVM is activated. The AVM seizes the phone line from the LYNX Control (without breaking connection with the Central Station) and transmits a boop-beep-boop acknowledgment tone to the Central Station. This is the Central Station operator's notification that the violated premises AVM is waiting for a session command from the Central Station operator.

The Central Station operator begins the session, which last 5 minutes, by pressing any key on the active touch-tone phone line (the Listen Mode of the AVM is activated). Sessions may be extended 5 minutes by pressing the [7] key on the touch tone phone. Selecting another operating mode also resets the session an additional 5 minutes. If the timer is not reset within the 5 minutes, the AVM generates a two-tone beep, beep, boop signal to the Central Station, the phone line is disconnected, and the session is ended. Sessions may be ended at any time by pressing the [9] key on the touch-tone phone.

Once the Central Station operator has activated the AVM by pressing any key on the touch tone phone, the operating mode may be changed from the Listen Mode to the Talk Mode or Voice Mode and back by pressing the respective key on the touch-tone phone. The modes are described as follows:

Key	Function
1	Talk Mode: Pressing the [1] key on the touch tone phone, enables one-way voice communication from the central station to the violated premises.
2	Voice Mode: Pressing the [2] key on the touch tone phone, enables two-way voice communications between the central station and the violated premises. Voice mode sessions last 5-minutes. During the last minute of the 5 minute Voice Mode session, the AVM generates a beep-boop tone every 30 seconds to alert the Central Station operator the session is about to time out. At which time the Central Station operator may extended the session by pressing the [7] or [2] key on the touch tone phone. If the session is not reset within the 5 minutes the AVM generates a two-tone beep, beep, boop signal, the phone line is disconnected, and the session is ended.
3	Listen Mode: Pressing the [3] key on the touch tone phone, enables one-way audio from the violated premises to the central station. The Listen Mode is the start up default mode of the AVM.
7	Resets the session timer to 5 minutes.
9	Ends the session and disconnects the phone line.

Adjusting the Volume

The speaker and microphone volume is adjusted in 2-way voice mode by removing the face plate of the LYNX-AVM and turning the associated potentiometer clockwise to increase volume or counterclockwise to decrease volume.

Specifications

Voltage: 8-10VDC;
Current: 35mA max. (standby), 100mA max (active)
Battery: single 9-volt alkaline or lithium

ADEMCO LIMITED WARRANTY

Alarm Device Manufacturing Company, a Division of Pittway Corporation, and its divisions, subsidiaries and affiliates ("Seller"), 165 Eileen Way, Syosset, New York 11791, warrants its products to be in conformance with its own plans and specifications and to be free from defects in materials and workmanship under normal use and service for 24 months from the date stamp control on the product or, for products not having an Ademco date stamp, for 12 months from date of original purchase unless the installation instructions or catalog sets forth a shorter period, in which case the shorter period shall apply. Seller's obligation shall be limited to repairing or replacing, at its option, free of charge for materials or labor, any product which is proved not in compliance with Seller's specifications or proves defective in materials or workmanship under normal use and service. Seller shall have no obligation under this Limited Warranty or otherwise if the product is altered or improperly repaired or serviced by anyone other than Ademco factory service. For warranty service, return product transportation prepaid, to Ademco Factory Service, 165 Eileen Way, Syosset, New York 11791.

THERE ARE NO WARRANTIES, EXPRESSED OR IMPLIED, OF MERCHANTABILITY, OR FITNESS FOR A PARTICULAR PURPOSE OR OTHERWISE, WHICH EXTEND BEYOND THE DESCRIPTION ON THE FACE HEREOF. IN NO CASE SHALL SELLER BE LIABLE TO ANYONE FOR ANY CONSEQUENTIAL OR INCIDENTAL DAMAGES FOR BREACH OF THIS OR ANY OTHER WARRANTY, EXPRESSED OR IMPLIED, OR UPON ANY OTHER BASIS OF LIABILITY WHATSOEVER, EVEN IF THE LOSS OR DAMAGE IS CAUSED BY THE SELLER'S OWN NEGLIGENCE OR FAULT.

Seller does not represent that the products it sells may not be compromised or circumvented; that the products will prevent any personal injury or property loss by burglary, robbery, fire or otherwise; or that the products will in all cases provide adequate warning or protection. Customer understands that a properly installed and maintained alarm may only reduce the risk of a burglary, robbery, fire or other events occurring without providing an alarm, but it is not insurance or a guarantee that such will not occur or that there will be no personal injury or property loss as a result. CONSEQUENTLY, SELLER SHALL HAVE NO LIABILITY FOR ANY PERSONAL INJURY, PROPERTY DAMAGE OR OTHER LOSS BASED ON A CLAIM THE PRODUCT FAILED TO GIVE WARNING. HOWEVER, IF SELLER IS HELD LIABLE, WHETHER DIRECTLY OR INDIRECTLY, FOR ANY LOSS OR DAMAGE ARISING UNDER THIS LIMITED WARRANTY OR OTHERWISE, REGARDLESS OF CAUSE OR ORIGIN, SELLER'S MAXIMUM LIABILITY SHALL NOT IN ANY CASE EXCEED THE PURCHASE PRICE OF THE PRODUCT, WHICH SHALL BE THE COMPLETE AND EXCLUSIVE REMEDY AGAINST SELLER. This warranty replaces any previous warranties and is the only warranty made by Seller on this product. No increase or alteration, written or verbal, of the obligations of this Limited Warranty is authorized.

ADEMCO
GROUP

165 Eileen Way, Syosset, New York 11791
Copyright © 1998 Pittway Corporation



K3703V3 10/00